

UPDATE FROM THE CUTTING EDGE

Jan.-mar. 2005

The abstracts of the recent research information appeared on the Vol.5 No.1-No.3 of "AIST TODAY" are introduced and classified by research area. For inquiry about the full article, please contact the author directly.

Life Science & Technology

Innovative Display to Present Multiple Images of Various Formats

We succeeded in a trial display system of "Virtual Projectors and a Screen" (VPS). On it, the images of different formats, TV, digital camera, PC, etc., can be displayed as one federation. It's simple to use. Required devices can be put into VPS. The images of them can be moved freely to anywhere by a remote controller. If unnecessary, it has to be pulled out. As one example of VPS useful use, on endoscopic surgery, the required information of endoscopes, tomograms, sphygmomanometers, etc. at the moment of the surgery step is displayed on VPS at a suitable position, at the same time on demand.

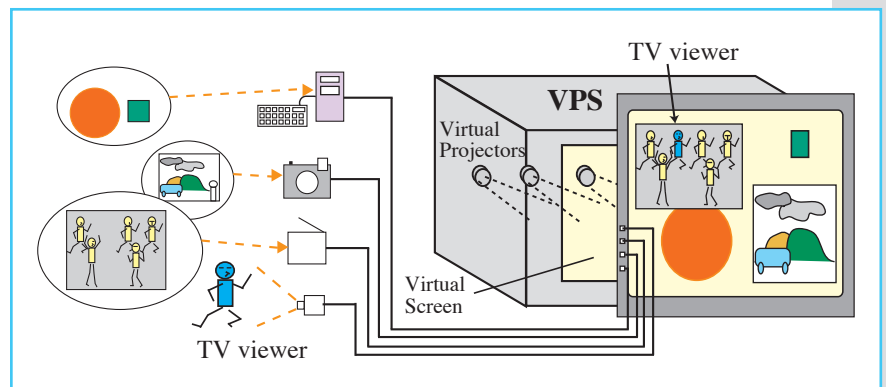


Fig. A TV viewer can dance with TV star on a VPS screen !

Osamu Morikawa
Institute for Human Science
and Biomedical Engineering
E-mail:
morikawa.osamu@aist.go.jp

AIST Today
Vol.5 , No.1 (2005)14